

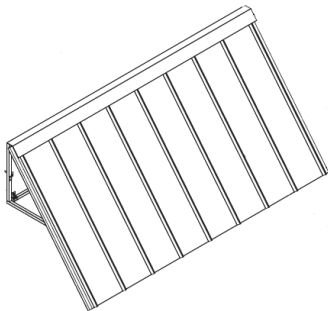
Standing Seam Awning

ASC's standing seam metal awnings offer a durable and low-maintenance alternative to the traditional fabric awning. Aside from protection from the elements, these metal clad awnings bring an attractive and modern look to your building's façade. Standing seam metal awnings have a variety of uses and they are typically used for commercial entries, walkways, storefront windows, and more.

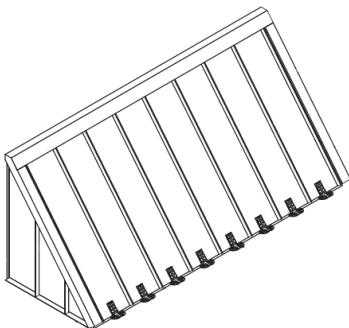
The 24 gauge galvanized metal pans create the standing "seam" through a hidden fastening system that uses hidden clips and fasteners to attach two pans together. These pans then fasten to a lightweight aluminum sub-frame. Our frames can be built to your specifications. This includes varying heights, widths, and projections.

Our standing seam metal awnings can be shipped directly to you with the appropriate mounting hardware included, so your new awning is immediately ready for install! These awnings are lightweight, making installation a simple operation. For more complex projects, our project and account management teams are experienced and available to help you achieve the look and design you want. We offer full project management services, including but not limited to design, permitting, engineering, and installation.

Open-End Style*



Closed-End Style with Standing Seam Ends
and Snowguards*



Standard Features & Components

- Standard Widths
 - 8", 12", or 16" Pan Widths
- Galvanized 24ga. Pans
- Mig Welded Aluminum Sub-Frame
- Closed-End Options
 - Standing Seam Panels
 - Flat-Lock Panels
 - .125 Cladding
- Top Flashing Included
- Optional Snow Guards
- Can Ship Ready-to-Install
- High Quality Color Options
- Mill Finish or Paint-to-Match Pan Underside
- Made in the USA

Locations:

ASC IN (Headquarters)

340 Hoosier Dr.
Angola, IN 46703
(260) 665-1521

ASC FL

1710 Industrial Dr., Suite 5
Edgewater, FL 32132